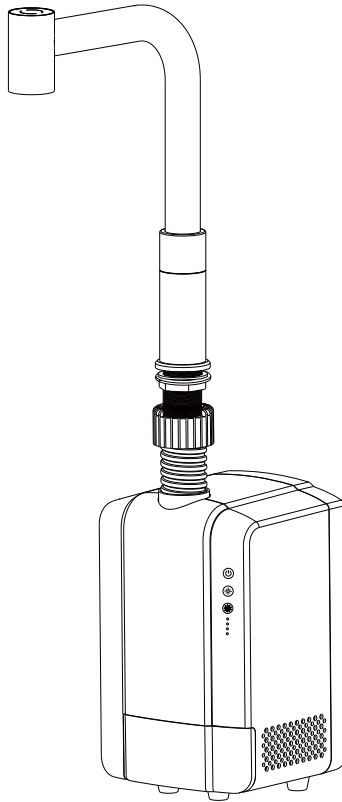


MORZZE
Beyond Excellence...

Air Tap

User Manual

MAT-4010




Register your Morzze Product
Online and get 3 month extended
warranty for FREE.










Extended warranty for 3 months is
applicable only when you will register
on **www.morzze.com** within 30 days from
the date of purchase.

Specifications

Rated Voltage	AC220–240V	Input Power	1200–1400W
Phase	Single-Phase	Air Speed	90m/s

 If you don't use this unit properly or follow the safety guidelines carefully, it would lead to serious personal injury or property damage

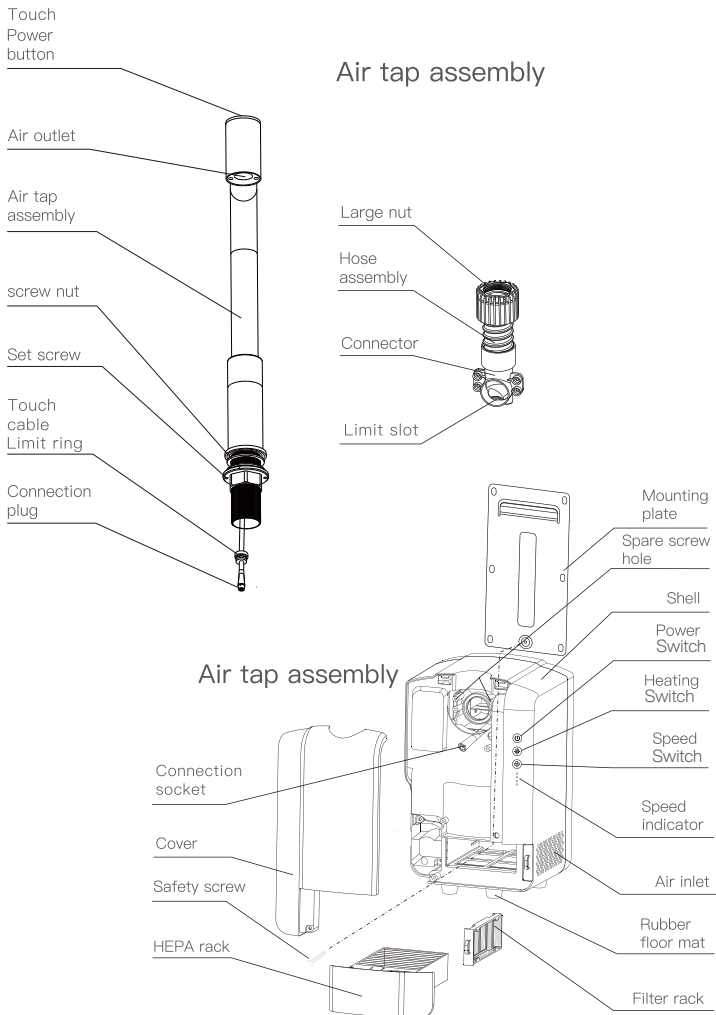
WARNING

 Prohibited	<ul style="list-style-type: none"> Do not open the front panel without turning off the power. Do not spray water on the unit. Do not modify the unit.
 Do not spray water	<ul style="list-style-type: none"> Do not let the machine come into contact with water, as this may lead to electric shock and pose a serious safety hazard.
 Do not use in shower area	<ul style="list-style-type: none"> If water gets inside the machine, it can cause an electric shock and lead malfunction
 Do not disassemble	<ul style="list-style-type: none"> Avoid unnecessary modification or disassembly of the machine, as this may result in fire, electric shock, or personal injury.
 Please follow the instruction	<ul style="list-style-type: none"> Use the required rated power. If power tolerance exceeds (\pm)10%, breakdown may occur. Using an incorrect power supply can cause fire, electric shock, or malfunction. Use a dedicated socket. Using the unit in combination with other appliances may cause abnormal heat in the outlet. Turn off the power during maintenance to prevent the risk of electric shock. Do not attempt repairs unless you are an authorized technician. Refer to the warranty for replacement information. If the unit malfunctions, turn off the power immediately, close the leakage circuit breaker, and contact the supplier for inspection and repair. Failure to do so may result in fire due to electricity leakage or short circuit. The machine must be installed by authorized personnel. The machine must have relative ground earthing.
 Warning	<ul style="list-style-type: none"> Do not install the machine while it is connected to power. This appliance is not intended for use by individuals (including children) with reduced physical, sensory, or mental capabilities, or those lacking experience and knowledge, unless supervised or instructed by a responsible person. Do not use the unit if the cord is damaged. For additional protection, install a residual current breaker (RCB) with a rated residual operating current not exceeding 30mA in the electrical circuit supplying the bathroom. Consult your installer for advice.
 Residential use only	<ul style="list-style-type: none"> This machine is intended strictly for residential use only.

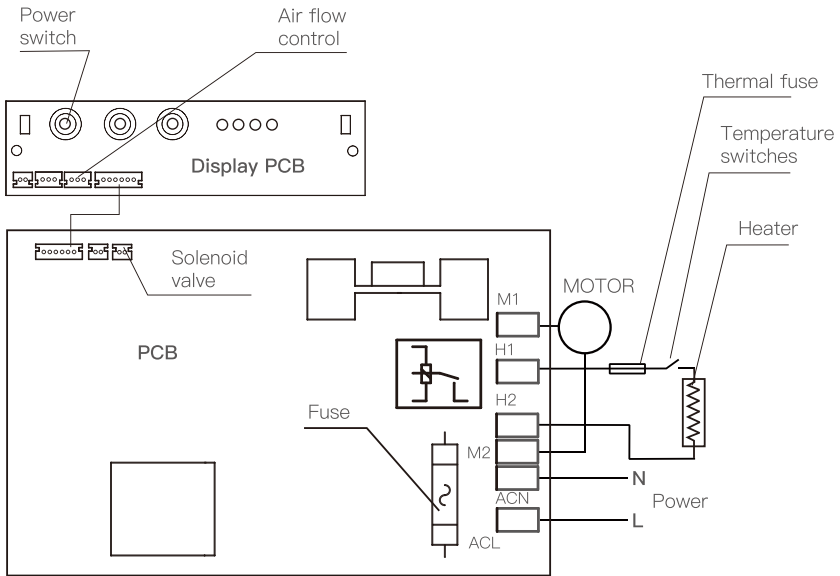
Features

- Dual filtration with HEPA and filter removes 99.9% of bacteria.
- Touch-free hand drying ensures complete hygiene.
- No need for paper towels, making maintenance easier.
- Space-saving design, eliminating the need for a dedicated hand-drying area.
- The Air Tap is made of 304 stainless steel, offering durability and an attractive appearance.
- The motor has four speed settings, with a memory function for the last working state.
- Auto-stop function: If the Air Tap runs for more than 3 minutes, the machine will automatically stop. It will resume operation when the hand enters the sensing area again.

Name of Each Part



Electrical Diagram

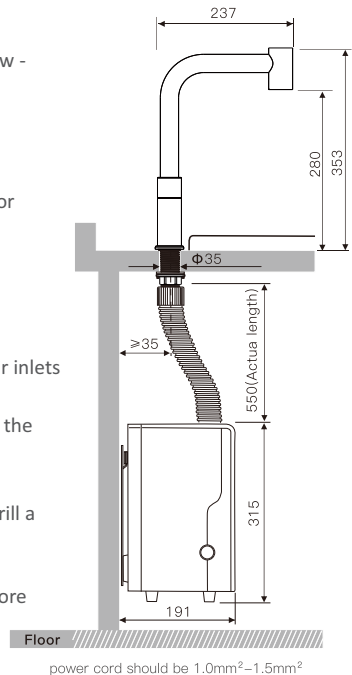


Installation Precautions

- Do not install in locations where the temperature is below -10°C or above 40°C.
- Avoid places where the unit may be directly exposed to water, direct sunlight, strong light, or areas prone to condensation.
- Do not install in environments with corrosive, oxidizing, or reducing gases, or at altitudes above 2000m.

Installation Location

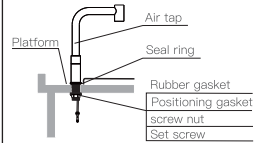
- Ensure that any walls, partitions, or obstacles near the air inlets on both sides of the Air Pump are at least 150mm apart.
- The Air Pump can be wall-mounted or placed directly on the floor.
- For wall installation, choose a flat surface.
- If there is no hole to install the AirTap on the platform, drill a 35mm diameter hole in a suitable location.
- To facilitate tightening of the large nut, ensure that the peripheral distance from the centre of the large nut is more than 35mm.



Installation

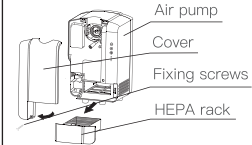
1 Installing the Air Tap

- Insert the threaded end of the air tap into the mounting hole on the desired platform, Sink or Basin.
- Place the rubber gasket, wave washer, positioning gasket and screw nut into position.
- Tighten the Nut after adjusting the position.
- Use a screwdriver to loosen the two sets of screws on the air pump, then adjust accordingly. (Note: The faucet can only rotate 340°).



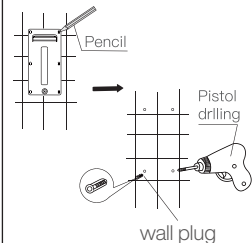
2 Removing the Cover of Air Pump

- First pull the HEPA filter rack out.
- Use a screwdriver to loosen the screws that secure the cover.
- Turn the lower part of the cover outward until you hear a "click," indicating that the upper buckle has been disengaged. You can now safely remove the cover.



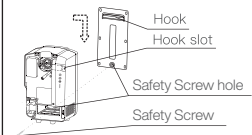
3 Installing the Mounting Plate

- The Air Pump can be installed on the wall or placed on a surface directly. If you wish to place it directly on the surface, skip to step 5.
- If the mounting surface is wood-based, you can directly fix it with self-tapping screws.
- Position the mounting plate where you want it, and gently hold it in place.
- Mark the positions of the mounting holes with a pencil.
- Drill four 6 mm holes where you marked, then insert wall plug into the holes.



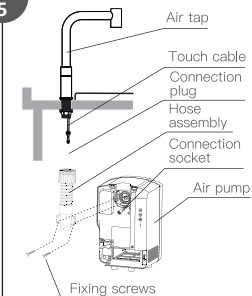
4 Installing the Air Pump

- Align the hook slot on the Air Pump with the hook on the mounting plate.
- Press down it until the safety screw holes on the Air Pump and the mounting plate are aligned.
- Insert and tighten the safety screw.



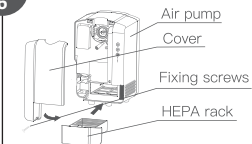
5 Installing the Hose Assembly

- Push the induction line down into the Hose Assembly.
- Properly tighten the large nut on top of the hose to the air tap to prevent air leaks.
- Connect the limit ring on the induction line to the limit slot on the hose connector.
- Align the mounting holes on the hose connector with those on the Air Pump, then secure the hose assembly by tightening the screws.
- All screws and nut must tighten properly to prevent any air leaks. Connect the connection plug on the Touch cable to the connection socket on the Air Pump.
- socket on the Air Pump.



6 Installing the Cover and HEPA Filter Rack

- Insert the two slots on the top of the cover into the two buckles on the Air Pump.
- Push the lower part inward and secure it with the fixing screws.
- Insert the HEPA filter rack into the Air Pump



Test Run

Steps	Action	Confirmation	Check & Notice
1	Gently shake the machine	Ensure that the machine is installed firmly and does not shake	If not installed correctly, the unit will shake and make noise during operation.
2	Confirm the power supply and voltage.	Verify that the rated voltage is being used	Using incorrect voltage may burn out the machine or cause accidents.
3	Switch on the power	Check that the power cord is correctly wired	If the indicator light is not on, check the power flow
4	Tap the touch switch by hand	verify that the airflow is present when the hand is placed underneath	If there is no airflow, ensure that the machine is turned on

Functions

There are three touch switches on the Air Pump which are Power Switch, Heating Switch, and Air Speed Switch. Each switch has an indicator light. When the switch is turned on, the indicator light will on

- **Power Switch:** After powering on, if the machine is left inactive for 1 minute, it will enter standby mode which is indicated by dimmed indicator lamp. Long pressing the power button for 3 seconds will unlock it. Once unlocked, short press the power button again to turn the machine off
- **Speed Switch:** The default speed is on level one, indicated by one lit light. Pressing the button increases the speed up to level four, with corresponding lights for each level. After reaching the fourth speed, pressing the button returns it to the first speed.
- **Heating Switch:** The hot air is blown out when the switch is turned on. The default heating mode is IntelliHeat. It does not heat when the temperature is 25°C or above. If the temperature drops below 25°C, heating turns on automatically. Pressing the heating button in smart mode changes the gear indicator from blue to yellow, switching the mode from IntelliHeat to forced heating.

The touch button on the top of the air tap displays a white light in standby mode and turns blue when active.

Daily Use and Maintenance

- Clean with a soft, dry cloth and neutral detergent. Do not use organic solvents, acids, alkaline toilet cleaners, or brushes etc. to avoid damaging the surface or causing discoloration. Turn off the power when cleaning the touch switches.
- Clean the HEPA filter & normal filter in every 2-3 months, depending on usage. It can be washed with water but must be thoroughly dried before reuse.

Scope of Application



WARRANTY CONDITIONS

12 MONTHS - LIMITED WARRANTY

Morzze products are manufactured and tested to the highest quality standards.

Morzze extends this limited warranty of One (1) Year to the original purchaser for personal household use of the "Air Tap" in its original buyer and location.

- The limited warranty is non-transferable.
- Surface Finish or plastic body is not covered under warranty.
- This limited warranty applicable on domestic use only.
- All the repairs / replacement of the product will be done off-site only. No services will be provided on-site.
- Product replacement does not include transportation cost, installation cost, or any other charges for such items as diagnosis or replacement of any component part, or any other expenses.
- Morzze reserves the right to examine product and its installation prior to replacement. Any Accessories are not covered in warranty
- Warranty will void if repair of the product is done by unauthorized repair centre or person.
- Morzze limited warranty cover your air tap to be free from defects in materials and workmanship when installed in India for a period of One (1) years, subject to the restrictions mentioned below.
- The warranty commences from the initial date of purchase by the owner, from an authorized Morzze dealer, through the one (1) year term of the original owner or end-user.
- Any product reported to the authorized dealer or to Morzze as being defective within the limited warranty period will be repaired or replaced with a product of equal value at the option of Morzze.
- This limited warranty extends to the original owner or end-user and is not transferable to a subsequent owner.

WARRANTY CONDITIONS

12 MONTHS - LIMITED WARRANTY

RESTRICTIONS

- This limited warranty does not extend to and excludes losses or damages or the inability to operate your Morzze Product resulting from conditions beyond the Manufacturer's control including, without limitation, negligence, misuse, abuse, improper installation, carelessness, accident, exposure to corrosive materials, misapplication, damages caused by improper maintenance or alteration of the product.
- Wear and tear expected to occur during the normal course of use, including without limitation, rust, scratches, dents or comparable and reasonably expected losses.
- The warranty will be void if the user is unable to furnish the proof of purchase i.e. original invoice copy.
- This warranty does not cover damage or failure to the product due to an abnormally corrosive alkaline/acidic atmosphere.
- This warranty does not cover damage or failure due to the voltage fluctuation.
- In addition to the above exclusions, this limited warranty does not apply to Morzze Products installed in a commercial, institutional or industrial application.
This limited warranty does not cover discontinued, or display products, whether such items are purchased at discount, unauthorized dealers, and/or sold on clearance.
- Morzze will not be liable for any damages, death, injuries, health or any consequential damages of whatsoever nature to any person or property by use or operation of the Product. Maximum liability (direct and indirect) of Morzze will be limited to the amount paid by the Customer at the time of purchase.
- This warranty does not cover the plastic body of the product, hence, it must be handled carefully to avoid breakage.
- This warranty does not cover damage or failure caused by modification of the product or use of non-genuine parts which are not approved by Morzze.
- This warranty does not cover Rubber, Plastic, Glass, consumable parts, metal parts etc.
- This warranty does not cover damage or failure to the product caused by dwelling fuse replacement, power voltage fluctuation or resetting of circuit breakers etc.
- This limited warranty does not apply to products that have not been installed or operated in accordance with instructions supplied by Morzze.
- Morzze recommends that all Morzze products are installed by fully licensed trade professionals with experience in the installation of bathroom and/or kitchen manufactured goods.
- This limited warranty does not cover shipping charges, labour charges or costs of removal and reinstallation of said product. This limited warranty does not allow recovery of incidental or consequential damages, such as loss of use, delay, property damage, or other consequential damages, and Morzze accepts no liability for such damages.
- This limited warranty does not cover Outdoor Installation.
- This Warranty does not cover any breakage, dent, rust or scratch.
- Morzze has the right to change, modify, and/or update the warranty policy at any time. For the latest, most up to date comprehensive warranty, go to www.morzze.com

WARRANTY CONDITIONS

12 MONTHS - LIMITED WARRANTY

NOTE

Warranty will be void if the product is not used as per the suggested application. The warranty will not be applicable if product failure is caused by certain unusual conditions such as Water Logging, Misuse, Transit Damage during purchase, abnormal voltage supply, lightning, acts of God, or while in transit to or from the service centre. The warranty obligation does not also cover charges, if any, incurred on account of services rendered which are outside the ambit of warranty.

This warranty should be deemed to have been issued at Delhi, State of NCT Delhi and courts at Delhi shall have exclusive jurisdiction on matters covered by or following from this warranty and the original purchaser alone shall have a cause of action arising out of the transaction.

Inspection and test report of the Morzze's office/service centre will be treated as final and binding under the warranty for determining defects, repairs/alterations required or carried out, or certifying working of the goods thereafter.

Please contact Morzze Customer Service Representative at :

Toll-Free : **1800 11 0123**

Email: **info@morzze.com**

Web: **www.morzze.com**

In requesting warranty service, please be ready to provide:

1. Proof of purchase
2. A description of the problem

MORZZE

Beyond Excellence...



FIND US!

ANUPAM RETAIL LTD. / 1800 11 0123 / www.morzze.com

MORZZE is a Trademark of ANUPAM RETAIL LTD. All Rights Reserved.